

# Data Sheet

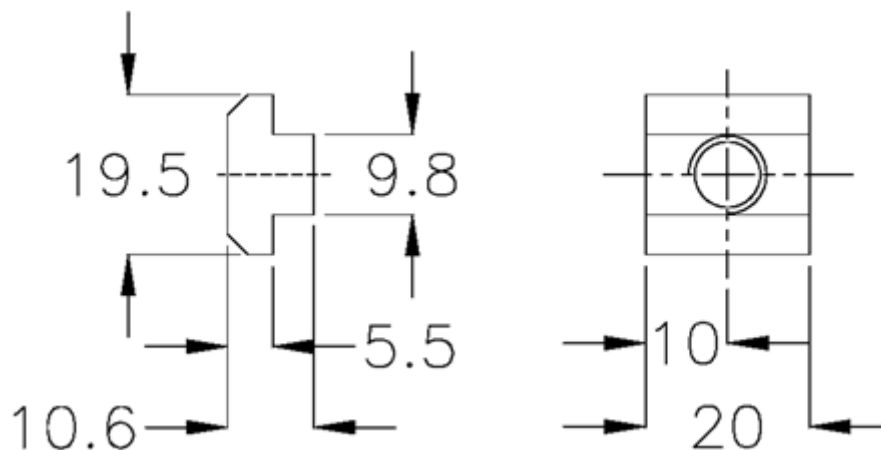


Article number: 0581421031

Description: Hepco MCS 1-242-1031 Slot Block M5

## Measures

---



Thread = M5  
Weight (kg) = 0.02